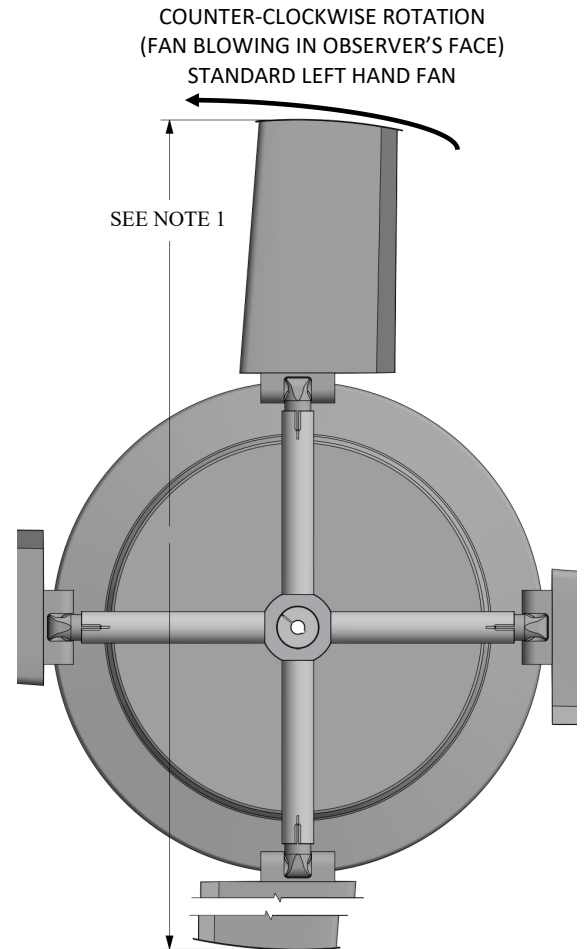
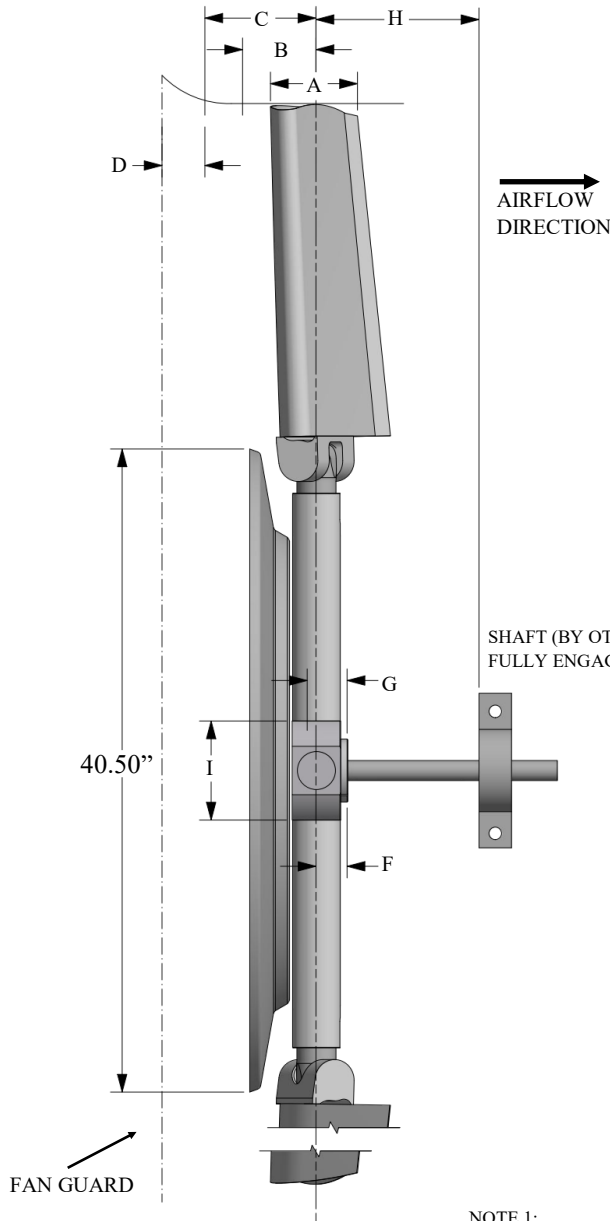
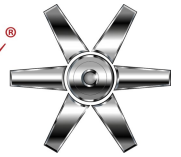


CLASS 10000 HD SERIES 42 SC

LH ROTATION



SHAFT (BY OTHERS) MUST FULLY ENGAGE BUSHING

- A = BLADE TIP THICKNESS @ 19° BLADE ANGLE
- B = RUNNING POSITION OF BLADES
- C = MAXIMUM DROOP POSITION OF BLADES
- D = MINIMUM OBSTACLE CLEARANCE AT INLET
- F = CENTERLINE OF FAN TO BASE OF BUSHING
- G = BUSHING OVERALL HEIGHT
- H = MINIMUM OBSTACLE CLEARANCE AT OUTLET
- I = NOMINAL MECHANICAL HUB DIAMETER
- L = MAXIMUM BUSHING TORQUE FT. LBS.
- # = WITH S.A.E. STANDARD SQUARE KEYWAY
- * = WITH SHALLOW KEYWAY IN BUSHING
- o = MAX METRIC BORE WITH STANDARD KEYWAY

NOTE 1:
MAXIMUM FAN DIAMETER EQUALS NOMINAL FAN DIAMETER. ADJUSTMENT OF ±1.5 INCHES* POSSIBLE AT INSTALLATION

BUSHING AND/OR AIR SEAL CAN BE INSTALLED ON INLET OR OUTLET SIDE OF FAN

WITH FAN OPERATING AT 12000 FT/MINUTE BLADE TIP SPEED

*BLADES WITH ATEX TIPS HAVE ADJUSTMENT OF -1.0" & +2.0" ON DIAMETER

DIA	PERCENT BLADE LOADING		C	D	H	
	100%	75%				
	A	B				
7'	4.4"	1.7"	1.5"	3.7"	2.0"	7.0"
8'	4.0"	2.2"	1.8"	4.2"	2.0"	7.0"
9'	3.6"	2.7"	2.2"	4.7"	2.0"	7.0"
10'	3.2"	3.3"	2.6"	5.3"	2.0"	7.0"
11'	2.8"	4.0"	3.1"	6.0"	2.0"	7.0"
12'	2.4"	4.8"	3.7"	6.8"	2.0"	7.0"
13'	2.0"	5.7"	4.3"	7.7"	2.0"	7.0"
14'	1.7"	6.7"	5.1"	8.7"	2.0"	7.0"

MAX BLADES	BUSHING TYPE	MAX # BORE	MAX * BORE	MAX o BORE	I	F	G	L
6	U	2.750"	2.938"	75	7"	2.0"	2.7"	4000
8	U	2.750"	2.938"	75	9"	2.0"	2.7"	4000
10	U	2.750"	2.938"	75	12"	2.0"	2.7"	4000
8	W	3.750"	4.000"	100	9"	2.2"	2.8"	7300
10	W	3.750"	4.000"	100	12"	2.2"	2.8"	7300
10	Z	5.000"	5.500"	140	12"	2.2"	4.0"	18000